

The Other (modified)

RULES: Practical Shooting Handbook, Latest Edition **COURSE DESIGNER:** Jeff Maass (OH), John K. Humkey (KY)

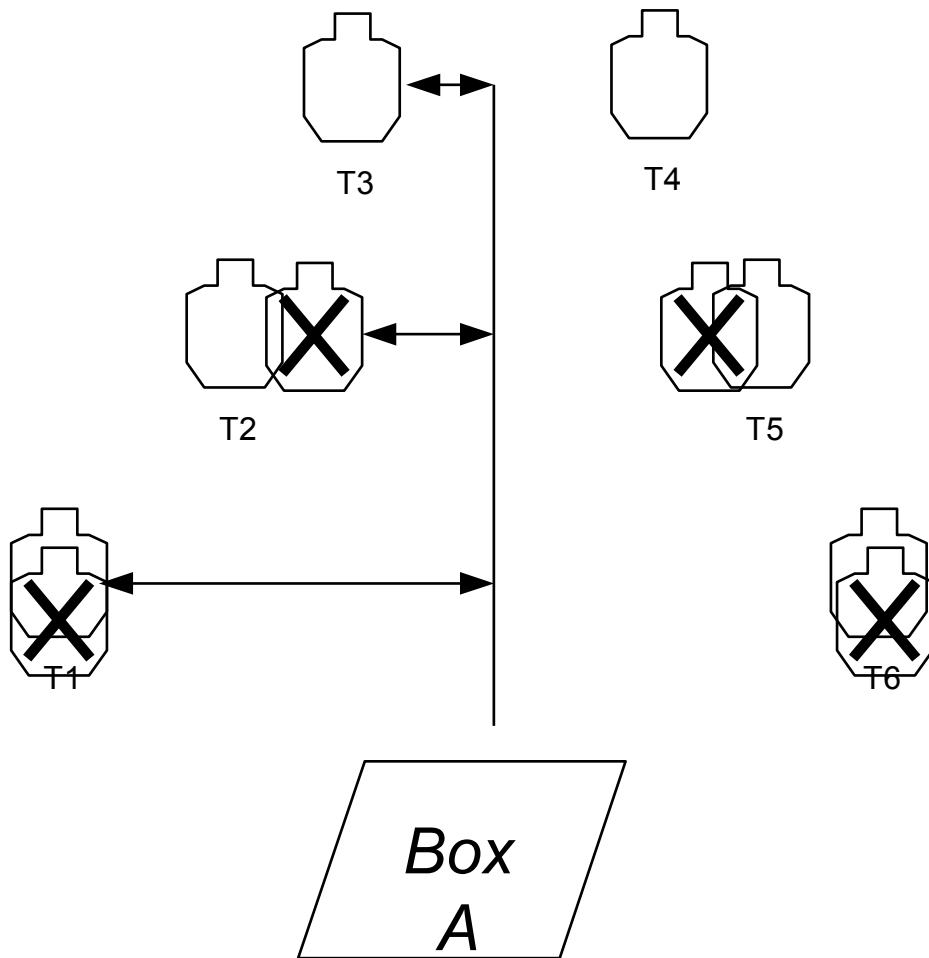
START POSITION: Pistol Loaded in Holster. Rifle loaded hand held.

STAGE PROCEDURE

Two strings. Fire 12 shots at T1-T6 with Rifle. Unload Rifle. String Two, Fire 12 shots (2 each) at T1-T6 with Pistol.

SCORING

SCORING: Virginia count, rounds, points
TARGETS: IPSC, USP, PP
SCORED HITS: Best 2 per IPSC
START-STOP: Audible - Last shot
PENALTIES: Procedural. -10
No-shoot hit. -10
Extra shot. -10
Extra hit. -10
Miss. -10



SETUP NOTES:

RO NOTES:

TGT	A	B	C	D	M	
USE NUMBERS - NOT HASH MARKS						
T1	<input type="text"/>	<input type="text"/>	<input type="text"/>	<input type="text"/>	<input type="text"/>	2
T2	<input type="text"/>	<input type="text"/>	<input type="text"/>	<input type="text"/>	<input type="text"/>	2
T3	<input type="text"/>	<input type="text"/>	<input type="text"/>	<input type="text"/>	<input type="text"/>	2
T4	<input type="text"/>	<input type="text"/>	<input type="text"/>	<input type="text"/>	<input type="text"/>	2
T5	<input type="text"/>	<input type="text"/>	<input type="text"/>	<input type="text"/>	<input type="text"/>	2
T6	<input type="text"/>	<input type="text"/>	<input type="text"/>	<input type="text"/>	<input type="text"/>	2
T7	<input type="text"/>	<input type="text"/>	<input type="text"/>	<input type="text"/>	<input type="text"/>	2
T8	<input type="text"/>	<input type="text"/>	<input type="text"/>	<input type="text"/>	<input type="text"/>	2
T9	<input type="text"/>	<input type="text"/>	<input type="text"/>	<input type="text"/>	<input type="text"/>	2
T10	<input type="text"/>	<input type="text"/>	<input type="text"/>	<input type="text"/>	<input type="text"/>	2
T11	<input type="text"/>	<input type="text"/>	<input type="text"/>	<input type="text"/>	<input type="text"/>	2
T12	<input type="text"/>	<input type="text"/>	<input type="text"/>	<input type="text"/>	<input type="text"/>	2
T13	<input type="text"/>	<input type="text"/>	<input type="text"/>	<input type="text"/>	<input type="text"/>	2
STL	<input type="text"/>				<input type="text"/>	2
TOTAL HITS	<input type="text"/>	<input type="text"/>	<input type="text"/>	<input type="text"/>	<input type="text"/>	28
MAJ	X5	X4	X4	X2	X-10	
MIN	X5	X3	X3	X1	X-10	

VIRGINIA COUNT PENALTIES

- PROCEDURAL (-10 EACH)
- NO-SHOOT HIT (-10 EACH)
- EXTRA SHOT (-10 EACH)
- EXTRA HIT (-10 EACH)

TIME

TOTAL TIME

STATS ONLY

<input type="text"/>	<input type="text"/>	<input type="text"/>	<input type="text"/>	<input type="text"/>	=	<input type="text"/>
----------------------	----------------------	----------------------	----------------------	----------------------	---	----------------------

MINUS PENALTIES OF

EQUALS TOTAL SCORE

DIVIDED BY TIME OF

HIT FACTOR =

(3 DECIMAL PLACES)

